

theRonda S360 KNX AP WH

Item no.: 2089550

Presence and motion detectors Indoor detectors

Description

- Passive infrared presence detector for ceiling installation
- Circular detection area 360°, up to Ø 9 m (64 m²)
- Automatic presence- and brightness-dependent control for lighting and HVAC
- Mixed light measurement suitable for fluorescent (FL/PL/ESL), halogen/incandescent lamps and LEDs
- 2 light channels C1, C2
- Switching operation or constant light control with standby function (orientation light)
- Switching mode with dimmable lighting
- Choice of fully or semi-automatic
- Brightness switching value or set point value can be set in lux by using parameters, the object or via remote control
- Teach-in of the brightness switching value or the set point value
- Reduction of time delay when present briefly (short-term presence)
- Manual override by telegram or remote control
- 2 presence channels C4, C5, individually configurable
- Switch-on delay and time delay configurable
- Setting the room correction factor for brightness measurement comparison
- Adjustable sensitivity
- Test mode for checking function and detection area
- Scenes
- Parallel switching of multiple presence detectors (Master/Slave or Master/Master)
- User remote control «theSenda S» (option)
- Management remote control «SendoPro 868-A» (option)
- Installation remote control «theSenda P» (option)



Technical data

theRonda S360 KNX AP WH		theRonda S360 KNX AP WH	
Installation height	2 – 4 m	Measuring range brightness	10 – 3000 lx
Minimum height	> 1,7 m	Detection angle	360°

Subject to technical changes and misprints

additional information at: www.theben.de/product/2089550

The load data are determined with exemplary selected illuminants and are therefore typical data due to the large number of available products.

theRonda S360 KNX AP WH

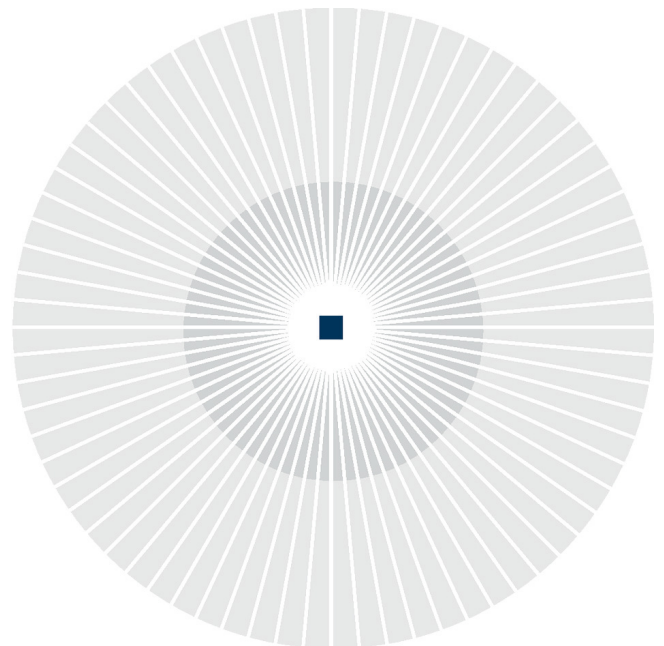
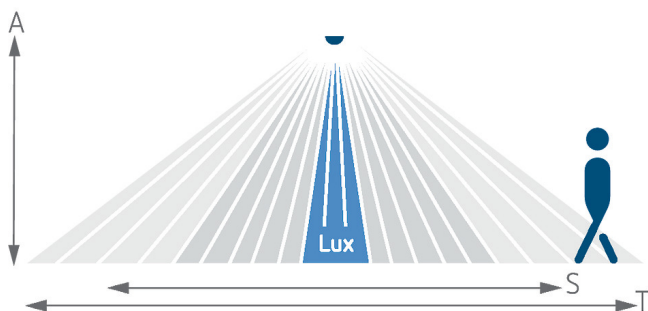
Item no.: 2089550

Technical data

theRonda S360 KNX AP WH		theRonda S360 KNX AP WH	
Type of connection	KNX bus terminal	Presence switch-off delay	10 s - 120 min
Installation type	Ceiling installation	Switch-on delay presence	10 s - 30 min / inactive
Light switch-off delay	30 s - 60 min	Ambient temperature	-15°C ... 50°C
Lamps	Energy saving lamps, fluorescent lamps, Incandescent/halogen lamps, LEDs	Detection range	50 m ² (ø 8 m 360°)
Light measurement	Mixed light measurement	Colour	White
		Type of protection	IP 54

Detection range for planning applications

Mounting height (A)	Sitting (S)	Diagonally (T)	Head on to (R)
2 m	5 m ² 2.5 m	38 m ² 7 m	5 m ² 2.5 m
2.5 m	7 m ² 3 m	38 m ² 7 m	7 m ² 3 m
3 m	13 m ² 4 m	50 m ² 8 m	13 m ² 4 m
3.5 m	13 m ² 4 m	50 m ² 8 m	13 m ² 4 m
4 m		64 m ² 9 m	13 m ² 4 m



Subject to technical changes and misprints

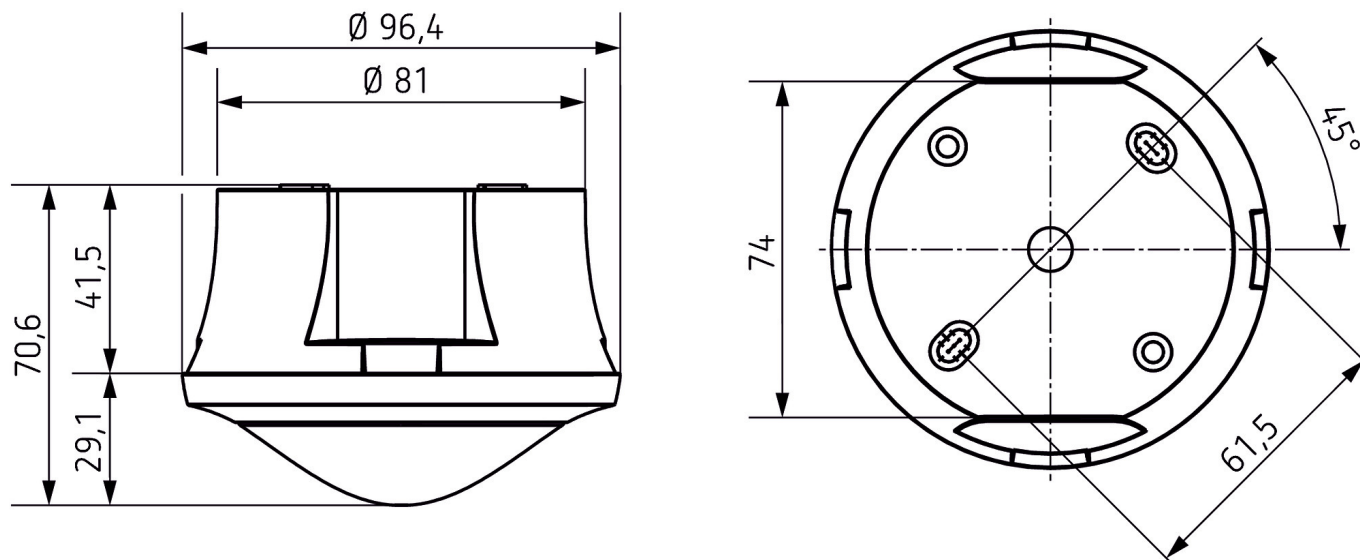
additional information at: www.theben.de/product/2089550

The load data are determined with exemplary selected illuminants and are therefore typical data due to the large number of available products.

theRonda S360 KNX AP WH

Item no.: 2089550

Scale drawings



Accessories

theSenda P
Item no.: 9070910



theSenda S
Item no.: 9070911



theSenda B
Item no.: 9070985

