

PlanoSet RQ ESR

Item no.: 9070738

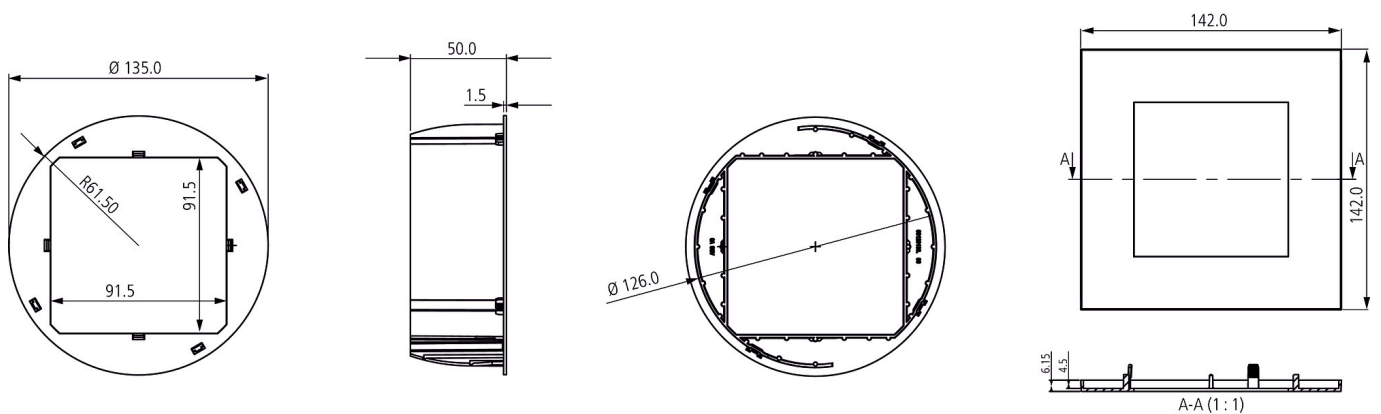
Accessories Presence detectors

Description

- Mounting set consisting of round flush-mounting box PlanoFix E, matching square cover PlanoCover and assembly parts
- Easy and fast mounting in false-ceilings
- Suitable for all PlanoCentro false ceiling-mounted presence detectors
- Cut-out can be easily realized with a standard drill bit diameter 127 mm (5 inches)
- The following installation and alignment of the presence detector PlanoCentro is implemented very easily and quickly
- Flush ceiling installation, the presence detector is inserted into the false ceiling
- Optimal adaptation to the room thanks to elegant covers in different shapes and colors
- Thickness ceiling: 0.5–30 mm
- Casing depth (Presence detector included): 75 mm
- Diameter flush-mounting box PlanoFix E: \varnothing 126 mm
- Frame PlanoCover: 142 x 142 mm
- Suitable for: PlanoCentro 000-E, PlanoCentro 101-E, PlanoCentro 201-E, PlanoCentro 300-E, PlanoCentro KNX-E



Scale drawings



Subject to technical changes and misprints

additional information at: www.theben.de/product/9070738

The load data are determined with exemplary selected illuminants and are therefore typical data due to the large number of available products.