

Antenna top2 RC-GPS

Item no.: 9070610

Accessories Antennas

Description

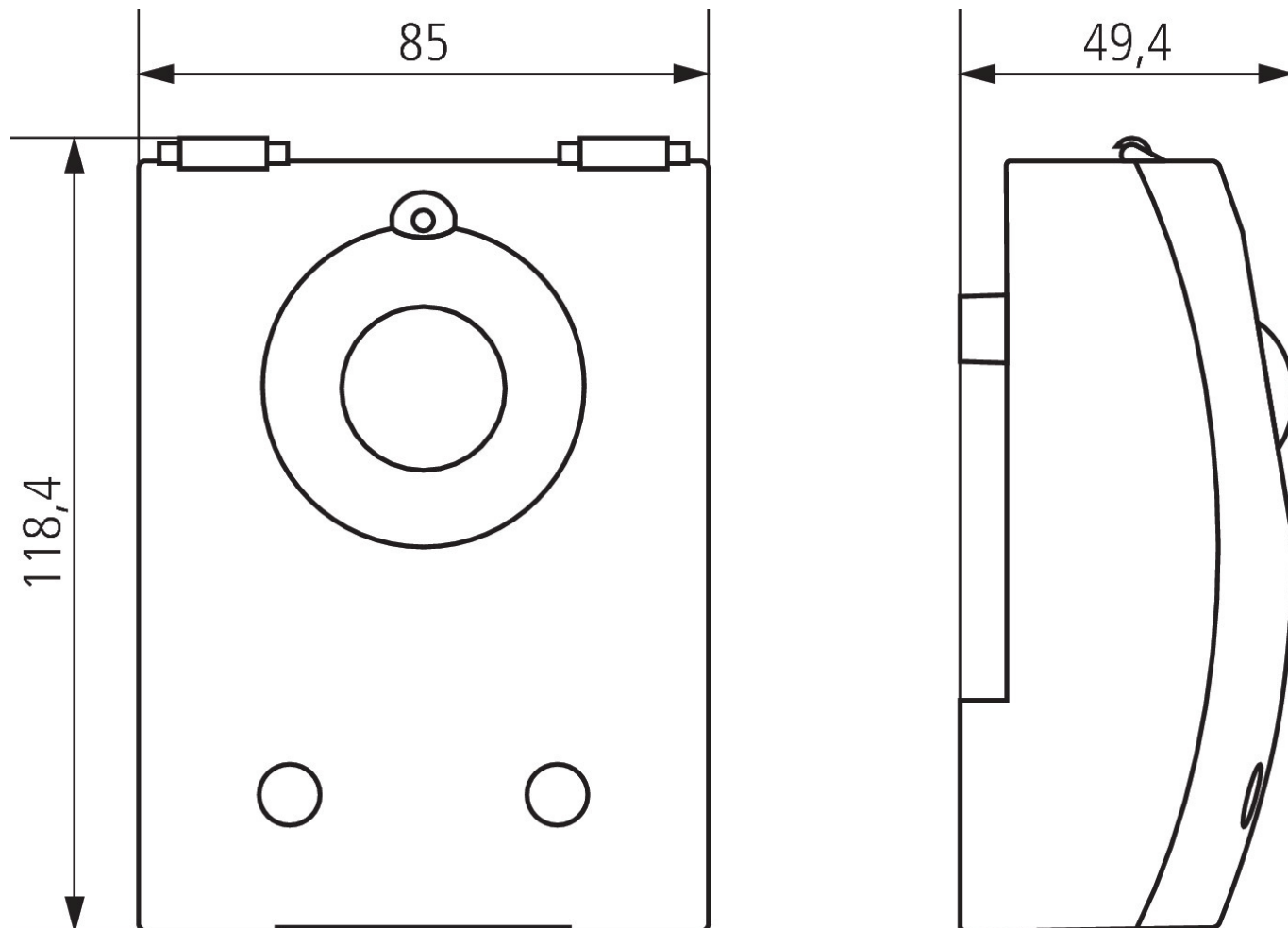
- Worldwide time synchronisation and positioning via receiving GPS satellite signal
- The antenna is connected by a 2 wire cable (max. 100 m) to Theben top2 RC devices (up to 5 devices can be connected depending on device type)
- A top2 GPS power unit (item number 907 0 892) is also required when connecting to TR 611 top2 RC, LUNA 121 top2 RC, LUNA 122 top2 RC or SELEKTA 171 top2 RC devices
- No additional power unit is required when connecting to TR 641 top2 RC, TR 642 top2 RC, TR 644 top2 RC devices
- Positioning is only possible when connecting to TR 641 top2 RC, TR 642 top2 RC, TR 644 top2 RC and SELEKTA 171 top2 RC devices
- Can not be used with TR 611 top2 RC 24 V and SELEKTA 171 top2 RC 24V



Antenna top2 RC-GPS

Item no.: 9070610

Scale drawings



Subject to technical changes and misprints

additional information at: www.theben.de/product/9070610

The load data are determined with exemplary selected illuminants and are therefore typical data due to the large number of available products.