

Digital flush-mounted light sensor

9070456

theben
energy saving comfort

Accessories
Others

Description

- Spring terminals
- Protection class IP 66 (Front) | IP 40 (Back)



Subject to technical changes and misprints
additional information at: www.theben.de/product/9070456

The load data are determined with exemplary selected illuminants and are therefore typical data due to the large number of available products.

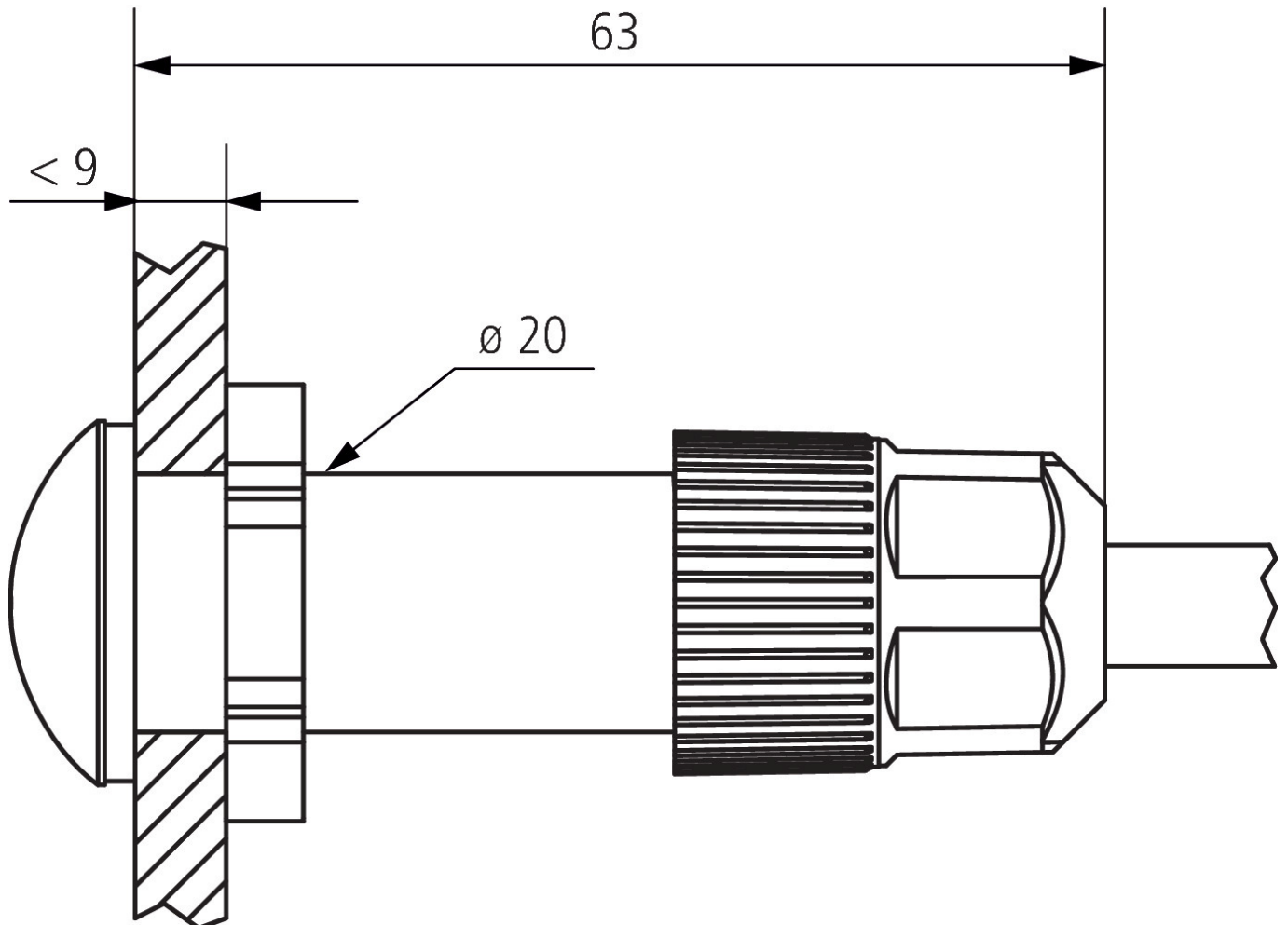
29/09/2020
Page 1 of 2

Digital flush-mounted light sensor

9070456

theben
energy saving comfort

Scale drawings



Subject to technical changes and misprints

additional information at: www.theben.de/product/9070456

The load data are determined with exemplary selected illuminants and are therefore typical data due to the large number of available products.

29/09/2020

Page 2 of 2