

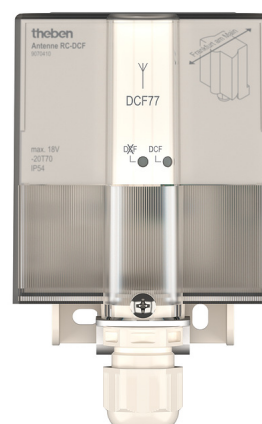
Antenna RC-DCF

Item no.: 9070410

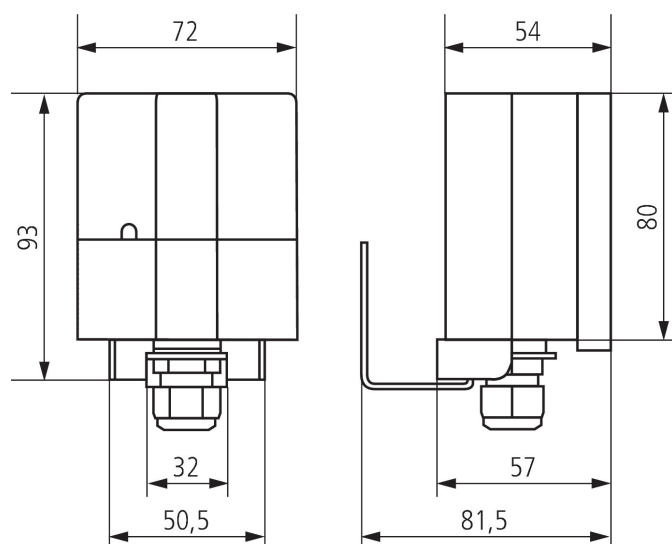
Accessories Antennas

Description

- Radio control via antenna with top2 RC devices: To ensure good reception, do not install the antenna in cellars or on distribution boxes. Connection is made via separate 2-wire, unscreened high-voltage power cable (max. 100 m), up to 10 Theben top2 RC devices can be connected. Polarity, short-circuit and interruption of the antenna circuit are each visually displayed to help with installation.



Scale drawings



Subject to technical changes and misprints

additional information at: www.theben.de/product/9070410

The load data are determined with exemplary selected illuminants and are therefore typical data due to the large number of available products.