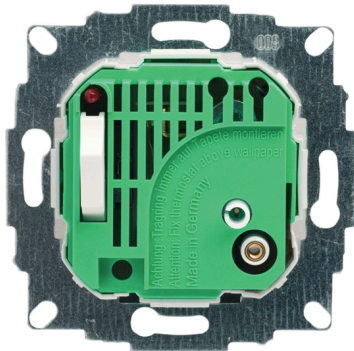


Description

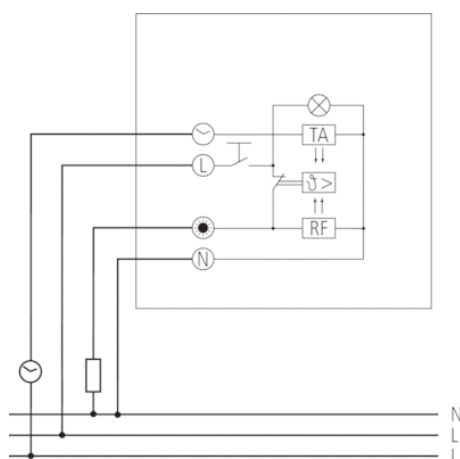


- Room temperature controller with thermal feedback
- Switch for heating ON/OFF + indicator lamp
- Supplied as replacement device without frame, central part and setting button, incl. protective cap
- Frame, central part and setting button available as accessories
- Central part fits nearly all frames using an adapter frame from the switch manufacturer
- Ideal controller for refurbished and new build properties

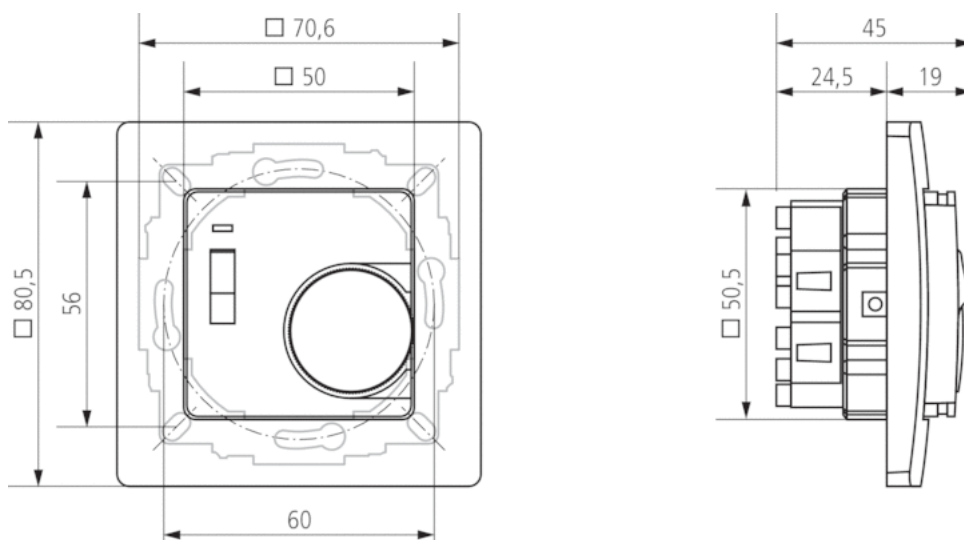
Technical data

Operating voltage	230 – 240 V AC
Frequency	50 – 60 Hz
Type of contact	NC contact
Switching capacity	10 A (at 230 V AC, $\cos \varphi = 1$), 4 A (at 230 V AC, $\cos \varphi = 0.6$), ,
Setting range temperature	+5 °C ... +30 °C
Function	Mechanical
Hysteresis	–
Control accuracy	approx. 0.5 K, thermal recirculation
Test approval	VDE
Installation type	Flush-mounted
Protection class	II according to EN 60 730-1

Connection example



Scale drawings



Accessories

Actuator ALPHA 5 230 V

- Article number: 9070441
Details ▶ www.theben.de



Central part RAMSES 746

- Article number: 9070601
Details ▶ www.theben.de



Frame RAMSES 74x

- Article number: 9070603
Details ▶ www.theben.de

