

Description

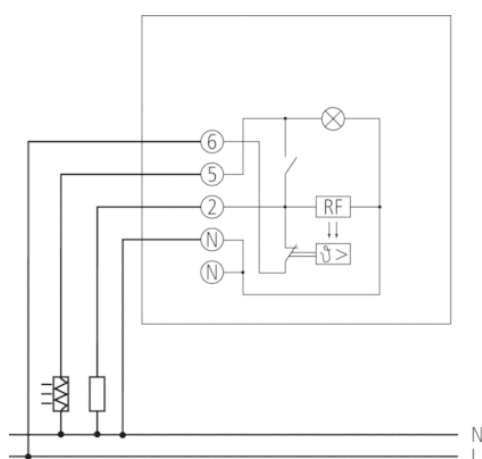


- Room temperature controller with thermal feedback
- Switch for additional heating ON/OFF + indicator lamp
- Suitable for all types of heating, e.g. gas, water, electric heating with central/individual room control
- Setting controller with mechanical setting limit or detection

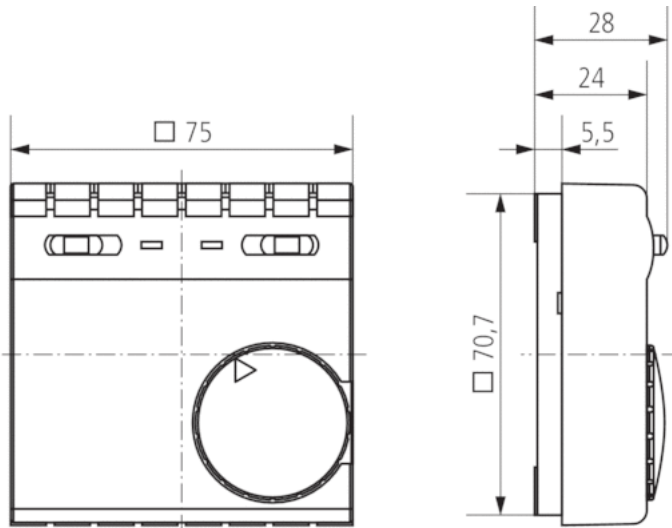
Technical data

| | |
|---------------------------|--|
| Operating voltage | 230 – 240 V AC |
| Frequency | 50 – 60 Hz |
| Type of contact | NC contact |
| Switching capacity | 10 A (at 230 V AC, $\cos \varphi = 1$), 4 A (at 230 V AC, $\cos \varphi = 0.6$), , |
| Setting range temperature | +5 °C ... +30 °C |
| Function | Mechanical |
| Hysteresis | – |
| Control accuracy | approx. 1 K, thermal recirculation |
| Test approval | VDE |
| Colour | White |
| Installation type | Surface-mounted |
| Type of protection | IP 30 |
| Protection class | II according to EN 60 730-1 |

Connection example



Scale drawings



Accessories

Actuator ALPHA 5 230 V

- Article number: 9070441
[Details ▶ www.theben.de](http://www.theben.de)



Adapter plate RAMSES 70x

- Article number: 9070480
[Details ▶ www.theben.de](http://www.theben.de)

