

Description

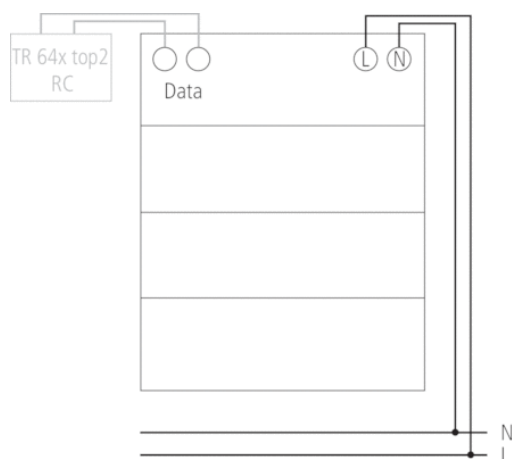


- Ethernet communication module for remote access via LAN network to time switches TR 641 top2 RC, TR 642 top2 RC and TR 644 top2 RC
- Remote programming using OBELISK top2 PC software
- Direct remote access to time switch (e.g. reading out switching status, performing manual switching, checking time) with OBELISK top2 Software
- Width: 3 modules

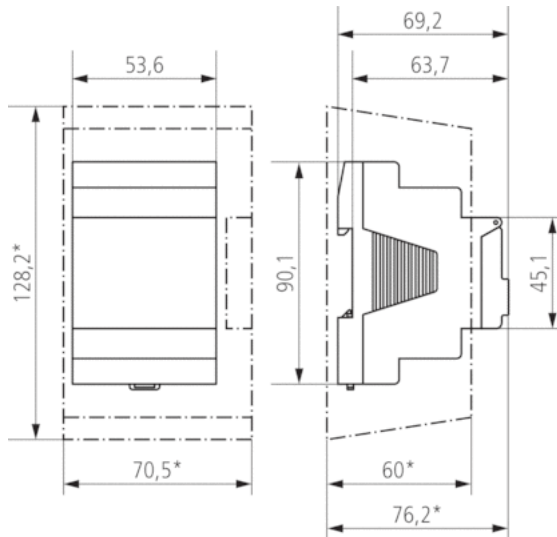
Technical data

Operating voltage	230 V AC
Frequency	50 – 60 Hz
Width	3 modules
Installation type	DIN rail
Program	Yearly program
Stand-by consumption	~3,2 W
Memory card supplied	–
Type of connection	DuoFix spring terminals
Externe Antenne anschließbar	–
Housing and insulation material	High-temperature resistant, self-extinguishing thermoplastic
Type of protection	IP 20
Protection class	II according to EN 60 730-1
Voltage	230 V AC
Ambient temperature	-30 °C ... +50 °C

Connection example



Scale drawings



Accessories

Wall mounting kit 52,5 mm

- Article number: 9070050
[Details ▶ www.theben.de](http://www.theben.de)



Front panel kit

- Article number: 9070001
[Details ▶ www.theben.de](http://www.theben.de)

