

Description

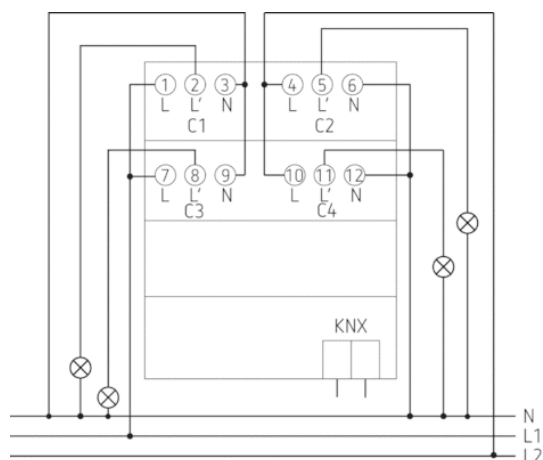


- 4-way universal dimmer actuator LUXORliving
- Dimming output: 200 W per channel, dimming area 0-100%
- For dimming dimmable LED, incandescent lamps, LV, HV halogen lamps and energy saving lamps
- Also suitable for dimming of dimmable energy-saving lamps
- LED switching status display for each channel
- Manual operation on device

Technical data

Operating voltage KNX	≤10 mA
Operating voltage	230 V AC
Stand-by consumption	<1 W
Width	4 modules
Installation type	DIN rail
Number of channels	4
Lamp types	Incandescent, low-voltage and high-voltage halogen and dimmable energy saving lamps and LED
Incandescent/halogen lamp load	200 W
LED lamp	Trailing edge (RC-mode): 200 W
Energy saving lamps	Trailing edge (RC-mode): 200 W
Type of protection	IP 20
Protection class	II according to EN 60 669

Connection example



Scale drawings

