

PlanoSpot 360 KNX S DE WH

Item no.: 2039300

Presence and motion detectors Indoor detectors

Description

- Passive infrared presence detectors for ceiling installation
- Flat design, cover frame in white included in delivery
- Cover frame in black or silver available as optional accessories
- Square detection area 360° (up to 64 m²) for reliable and easy planning
- Automatic presence- and brightness-dependent control for lighting and HVAC
- Two differently sized detection zones for greater flexibility. Adjustable via parameters or remote control
- Mixed light measurement suitable for fluorescent lamps (FL/PL/ESL), halogen/incandescent lamps and LEDs
- 3 directed light measurements
- 2 light channels C1, C2 with 2 light measurements and additional lighting channel C3 without brightness factor
- Switched or constant light control with 2 independent control systems and standby function (orientation light)
- Switching mode with dimmable lighting
- Fully or semi-automatic
- Brightness switching value or set point value can be set in lux by using parameters, the object or via remote control
- Teach-in of the brightness switching value or the set point value
- Light time delay configurable
- Self-learning time delay can be set using parameters, object or via remote control
- Reduction of time delay when present briefly (short-term presence)
- Manual override by telegram or remote control
- 2 presence channels C4, C5, individually configurable
- Switch-on delay and time delay configurable
- Room monitoring with selective movement detection
- Setting the room correction factor for brightness measurement comparison
- Configurable sensitivity
- Extremely simple setting of the energy-saving ratio with the new «eco plus» function
- Test mode for checking function and detection area
- Scenarios
- Parallel switching of multiple presence detectors (Master/Slave or Master/Master)
- Installation in false ceilings with springs
- Surface mounting on ceilings possible with the AP-frame (optional)
- User remote control «theSenda S» (optional)
- Management remote control «SendoPro» (optional)
- Installation remote control «theSenda P» (optional)



Subject to technical changes and misprints

additional information at: www.theben.de/product/2039300

The load data are determined with exemplary selected illuminants and are therefore typical data due to the large number of available products.

PlanoSpot 360 KNX S DE WH

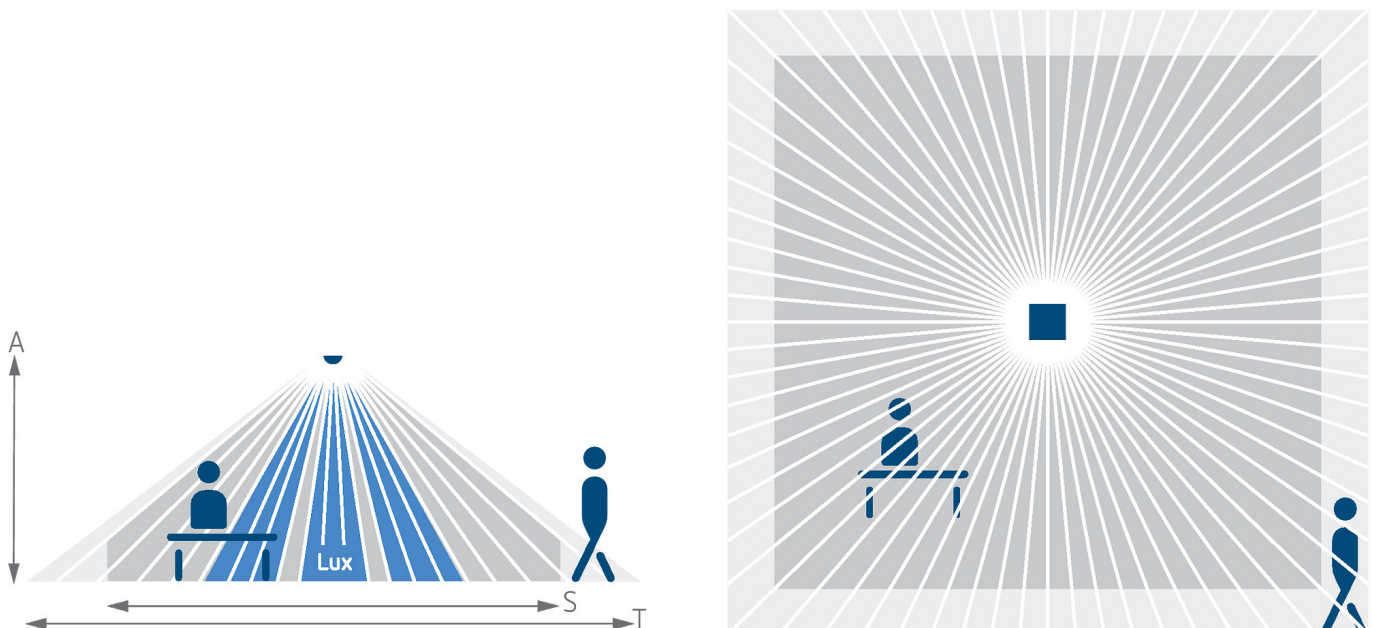
Item no.: 2039300

Technical data

PlanoSpot 360 KNX S DE WH		PlanoSpot 360 KNX S DE WH	
Installation height	2 – 3.5 m	Stand-by time light	30 s – 60 min, on, inactive
Minimum height	> 1,7 m	Stand-by brightness	1 – 25 %
Measuring range brightness	10 – 3000 lx	Presence switch-off delay	10 s - 120 min
Detection angle	360°	Switch-on delay presence	10 s – 30 min / inactive
Type of connection	KNX bus terminal	Ambient temperature	0°C ... 50°C
Installation type	Ceiling mounting	Detection range	49 m ² (7,0 x 7,0 m)
Light switch-off delay	30 s - 60 min	Colour	White
Lamps	Energy saving lamps, fluorescent lamps, Incandescent/halogen lamps, LEDs	Type of protection	IP 20
Light measurement	Mixed light measurement		

Detection range for planning applications

Mounting height (A)	Sitting (S)	Walking (T)
2 m	9 m ² 3 m x 3 m	20 m ² 4.5 m x 4.5 m ± 0.5 m
2.5 m	16 m ² 4 m x 4 m	36 m ² 6 m x 6 m ± 0.5 m
3 m	20 m ² 4.5 m x 4.5 m	49 m ² 7 m x 7 m ± 1 m
3.5 m		64 m ² 8 m x 8 m ± 1 m



Detection range according to Sensnorm IEC 63180

Mounting height (A)	Diagonally (T)	Head on to (R)	Sitting (S)
2.5 m	40 m ² 6.3 m x 6.3 m	23 m ² 4.8 m x 4.8 m	16 m ² 4 m x 4 m

Subject to technical changes and misprints

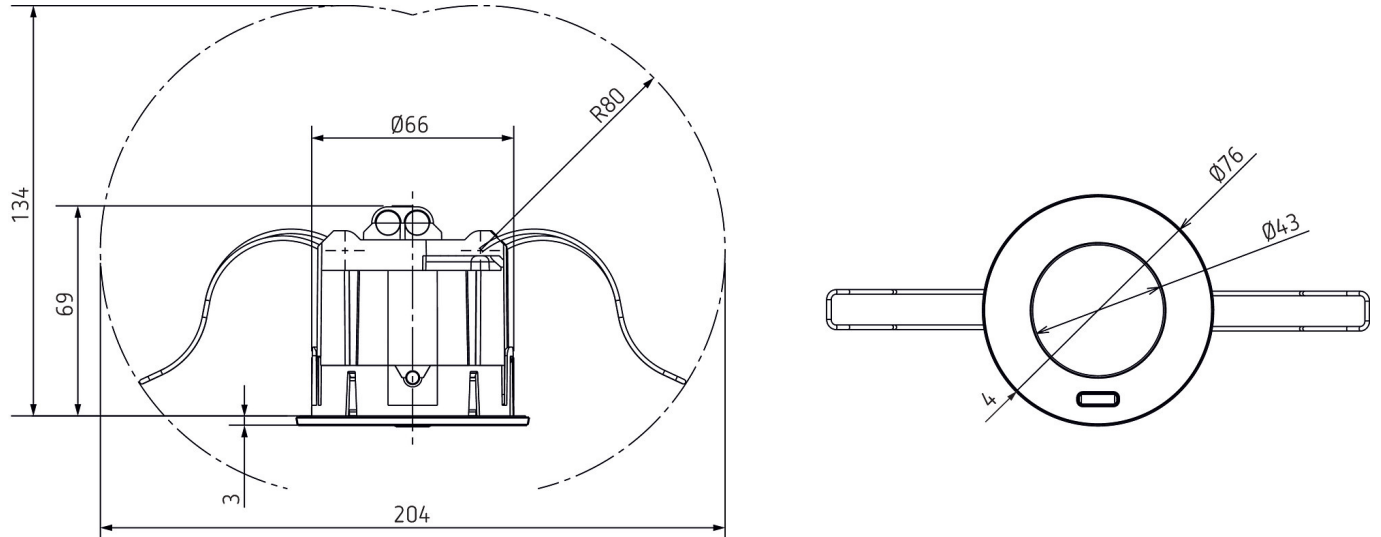
additional information at: www.theben.de/product/2039300

The load data are determined with exemplary selected illuminants and are therefore typical data due to the large number of available products.

PlanoSpot 360 KNX S DE WH

Item no.: 2039300

Scale drawings



Accessories

theSenda P

Item no.: 9070910



theSenda S

Item no.: 9070911



PlanoCover 76 WH

Item no.: 9070976



PlanoCover 76 BK

Item no.: 9070977



PlanoCover 76 SR

Item no.: 9070978



theSenda B

Item no.: 9070985



Surface frame 75B WH

Item no.: 9070796



Surface frame 75B BK

Item no.: 9070824



Subject to technical changes and misprints

additional information at: www.theben.de/product/2039300

The load data are determined with exemplary selected illuminants and are therefore typical data due to the large number of available products.