

## Description

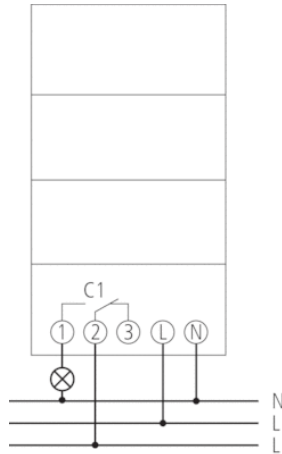


- Analogue time switch
- 1 channel
- 60 minute program
- Without power reserve
- 96 switching segments
- Synchronised with mains
- Shortest switching time: 37.5 seconds
- DuoFix spring terminals
  - For 2 conductors each
  - Wire or strand (with or without wire end sleeve)
  - Wire diameter: 0.5 - 2.5 mm<sup>2</sup>
  - Button for releasing plug-in connection
- Switching preselection
- Manual switch with 3 positions: Continuous ON/AUTO/continuous OFF
- Switching status display

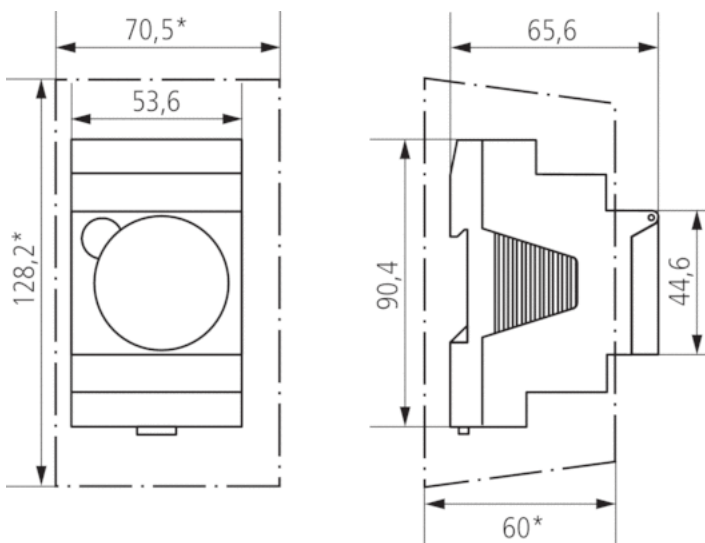
## Technical data

Operating voltage	230 V AC
Frequency	50 Hz
Number of channels	1
Width	3 modules
Installation type	DIN rail
Type of connection	DuoFix spring terminals
Drive	Synchronous motor
Program	60 minutes program
Switching capacity at 250 V AC, cos φ = 1	10 A
Switching capacity at 250 V AC, cos φ = 0,6	4 A
Incandescent/halogen lamp load	1100 W
Shortest switching times	37,5 s
Programmable every	37,5 s
Time accuracy at 25 °C	Synchronised with mains
Type of contact	Changeover contact
Switching output	Potential-free and phase-independent
Number of switching segments	96
Stand-by consumption	~0,9 W
Capacity loss max.	0,4 W
Test approval	VDE
Housing and insulation material	High-temperature resistant, self-extinguishing thermoplastic
Type of protection	IP 20
Protection class	II according to EN 60 730-1
Ambient temperature	-20 °C ... +55 °C

### Connection example



### Scale drawings



### Accessories

#### Wall mounting kit 52,5 mm

- Article number: 9070050  
Details ▶ [www.theben.de](http://www.theben.de)



#### Front panel kit

- Article number: 9070001  
Details ▶ [www.theben.de](http://www.theben.de)

