

Description

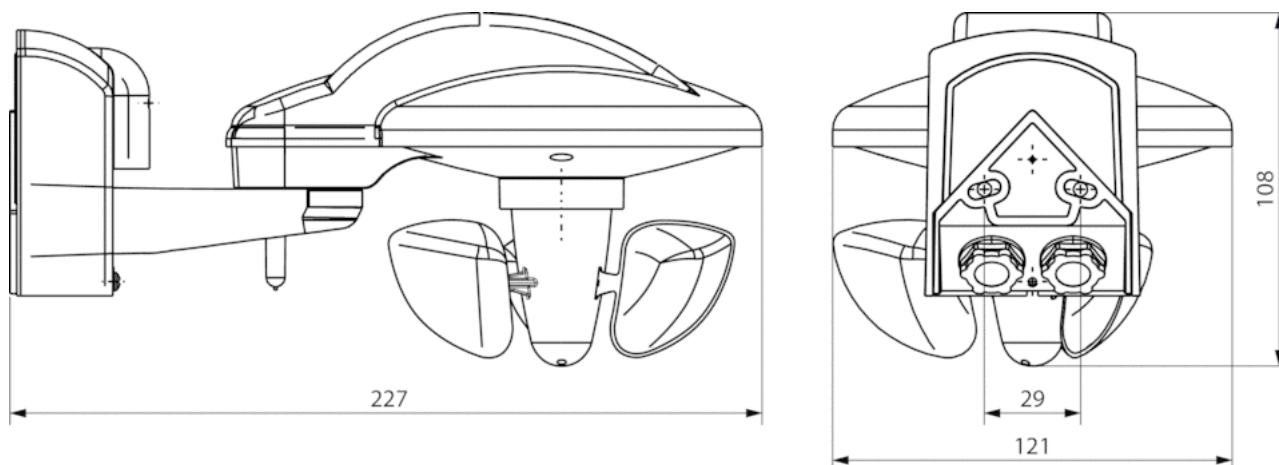


- Self contained outdoor weather station
- Integrated GPS receiver
- Automatic calculation of elevation and azimuth
- For measuring wind, rain, brightness and temperature
- For fully automatic blinds and sun protection control with automatic adjustment of blinds according to position of the sun
- Rain sensor with integrated heating
- Measurement and evaluation directly on device
- Sun protection for up to 8 facades via 3 integrated brightness sensors
- 4 additional threshold channels for connection of external KNX sensors
- 6 logic channels
- Display of weather data e.g. with VARIA 826 KNX multi-function display

Technical data

Operating voltage	15 – 34 V DC
Operating voltage KNX	Bus voltage, ≤10 mA
Stand-by consumption	<0,5 W
Installation type	Wall installation
Measuring range brightness	1 – 100000 lx
Measuring range temperature	-30 °C ... +60 °C
Measuring range wind speed	2 – 30 m/s
Ambient temperature	-20 °C ... +55 °C
Type of protection	IP 44
Protection class	III

Scale drawings



Accessories

Power unit 24 V DC

- Article number: 9079330
[Details ▶ www.theben.de](http://www.theben.de)



Mast mounting WML1

- Article number: 9070925
[Details ▶ www.theben.de](http://www.theben.de)



Mast mounting S

- Article number: 9070928
[Details ▶ www.theben.de](http://www.theben.de)

