

Meteodata 139 KNX

Item no.: 1399200

Home and Building control KNX

Description

- Weather forecast receiver
- Receives weather data from the HKW via longwave on hours of sunlight, probability of rain, wind speeds and temperatures
- (This service is not available in all European countries. Find out more at www.efr.de/en)
- Weather forecasts for the next 3 days are shown in 6 hour blocks
- In addition, weather scenarios such as "fine", "cloudy", "rainy", among others, and storm warnings are also received
- Data can be visualised purely for information purposes
- By using the data, heating and shade can be controlled with foresight
- e.g.:
- If sun is forecast, only the absolutely necessary amount of water will be heated using the central heating system in the morning and the solar heating system will be used later for the rest
- In summer, awning systems are used in unused rooms in order to prevent the rooms being heated up by the sun's rays
- In winter, however, the use of awnings is minimised in order to let as much of the sun's heat in the room as possible
- Exact time entry in the KNX system thanks to a time signal sent with the weather data
- Provision and transmission of the weather data by HKW is currently guaranteed until 2021-12-31. Any termination of the transmission will be announced on the website, at least 5 years in advance



Technical data

Meteodata 139 KNX	
Operating voltage KNX	Bus voltage, ≤ 12 mA
Installation type	Wall installation
Type of connection	KNX bus terminal
Ambient temperature	-20°C ... 55°C

Meteodata 139 KNX	
Type of protection	IP 54
Protection class	III

Subject to technical changes and misprints

additional information at: www.theben.de/product/1399200

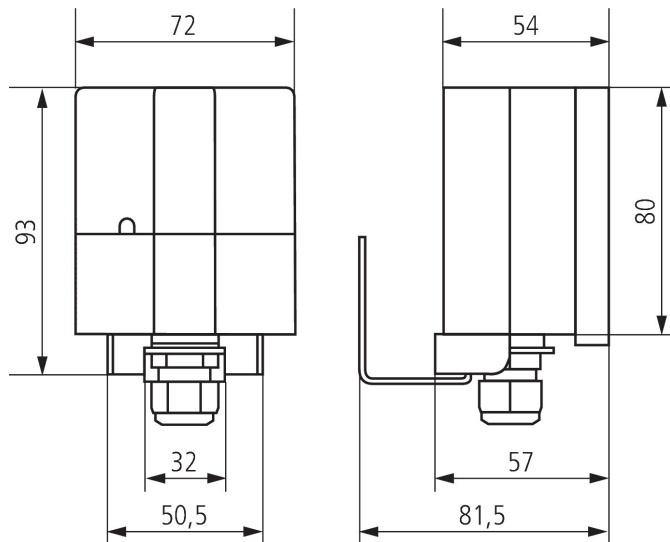
The load data are determined with exemplary selected illuminants and are therefore typical data due to the large number of available products.

Meteodata 139 KNX

Item no.: 1399200

theben
energy saving comfort

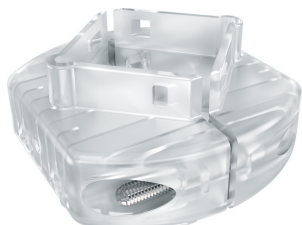
Scale drawings



Accessories

Mast mounting S
Item no.: 9070928

Mast mounting WML1
Item no.: 9070925



Subject to technical changes and misprints

additional information at: www.theben.de/product/1399200

The load data are determined with exemplary selected illuminants and are therefore typical data due to the large number of available products.

30/09/2020

Page 2 of 2