

# LUNA 134 KNX

Item no.: 1349200

Home and Building control  
KNX

## Description

- Light level controller
- External light sensor included in delivery
- For brightness-dependent controlling
- 10 channels
- 4 threshold values channels for connecting external KNX-sensors (e.g. temperature)
- 6 logic channels
- Up to 3 lights sensors can be connected
- Manual operation on device
- 4 keys for setting threshold and switch on/off delay
- DuoFix spring terminals
- For 2 conductors each
- Wire or strand (with or without wire end sleeve)
- Wire diameter: 0.5 - 2.5 mm<sup>2</sup>
- Button for releasing plug-in connection
- Display back light (can be turned off)
- Thresholds can be shown or changed on display
- PIN coding



## Technical data

LUNA 134 KNX	
Operating voltage	110 – 240 V AC
Frequency	50 – 60 Hz
Operating voltage KNX	Bus voltage, ≤10 mA
Stand-by consumption	~0.8 W
Measuring range brightness	1 – 100000 lx
Switch-on delay	0 – 20 min
Number of channels	10
Width	3 modules
Installation type	DIN rail

LUNA 134 KNX	
Type of connection	Bus connection: KNX bus terminal   Sensor connection: DuoFix spring terminals
Max. cable cross section	2 x 0.75 mm <sup>2</sup>
Max. cable length to sensor	100 m
Ambient temperature	-5°C ... 45°C
Protection class	II
Type of protection	IP 20

Subject to technical changes and misprints

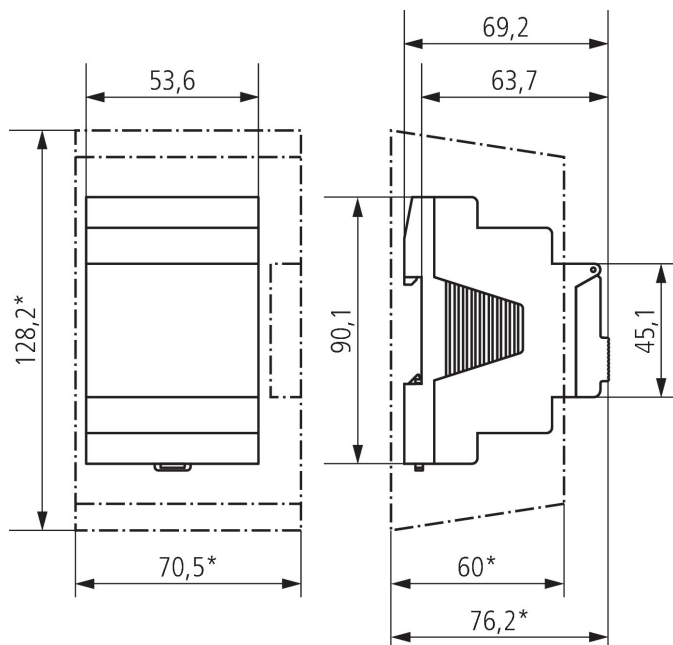
additional information at: [www.theben.de/product/1349200](http://www.theben.de/product/1349200)

The load data are determined with exemplary selected illuminants and are therefore typical data due to the large number of available products.

# LUNA 134 KNX

Item no.: 1349200

## Scale drawings



## Accessories

Digital surface-mounted light sensor

Item no.: 9070415



Digital flush-mounted light sensor

Item no.: 9070456

