

Description



- Motion detector (PIR)
- Automatic lighting control based on presence and brightness
- For integration into KNX building systems
- For outdoor use
- For installation on walls and ceilings
- Integrated temperature sensor
- For larger, commercial outdoors properties such as offices, public buildings, hotels, schools, car parks and warehouses
- Easy to program with KNX ETS software
- Adjustable brightness switching value and switch-off delay
- Sensitivity can be reduced
- Area limit via lens attachment
- Mixed light measurement
- Teach-in of current brightness value possible
- Pulse function
- Test function for checking detection area
- Installation on flush-mounted socket possible (60 mm)
- Single-handed plug-in installation
- Instant start-up possible via factory preset
- Controls are place protected
- Corner angle included
- Spacer and corner angle included

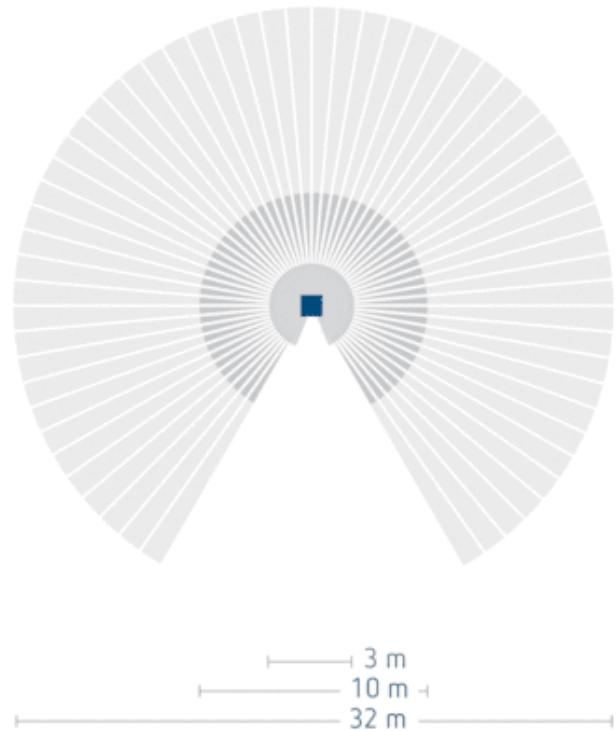
Technical data

Operating voltage KNX	Bus voltage, <10 mA
Setting range brightness	1 – 3000 lx
Detection angle	300°
Creep under protection	Ø 6 m
Installation type	Wall and ceiling installation
Light switch-off delay	1 s - 60 min
Light measurement	Mixed light measurement
Ambient temperature	-25 °C ... +45 °C
Colour	White
Protection class	III
Type of protection	IP 55

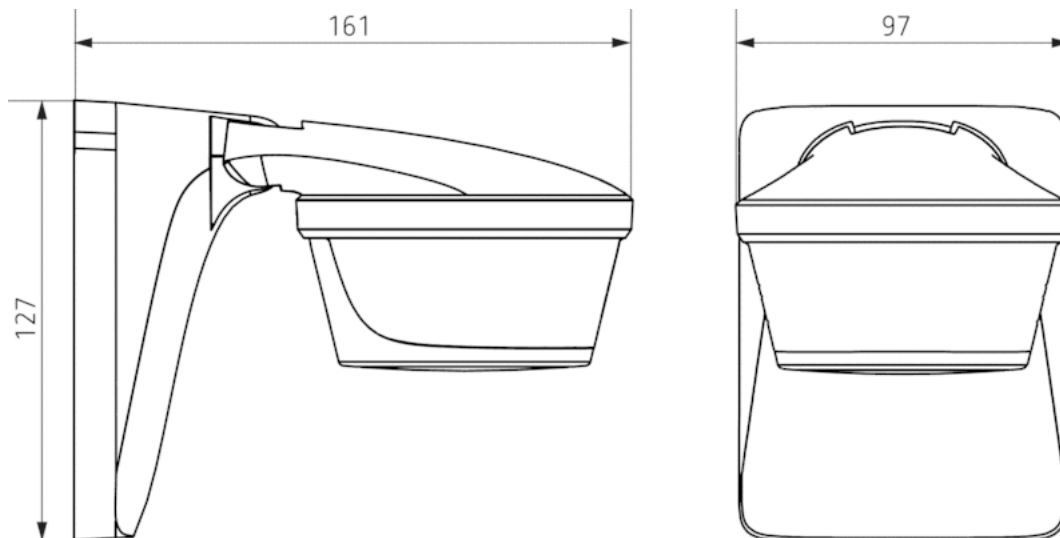
Article number: 1019610

Detection range

Mounting height (A)	Head on to (r)	Diagonally (t)
2 m	4 m	12 m
2,5 m	5 m	16 m
3 m	5 m	16 m
3,5 m	5 m	16 m
4 m	4 m	12 m



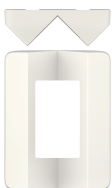
Scale drawings



Accessories

Corner angle theLuxa P WH

- Article number: 9070904
Details ▶ www.theben.de



Spacer theLuxa P WH

- Article number: 9070908
Details ▶ www.theben.de



theSenda P

- Article number: 9070910
Details ▶ www.theben.de



Article number: 1019610

theSenda S

- Article number: 9070911
[Details ▶ www.theben.de](http://www.theben.de)

